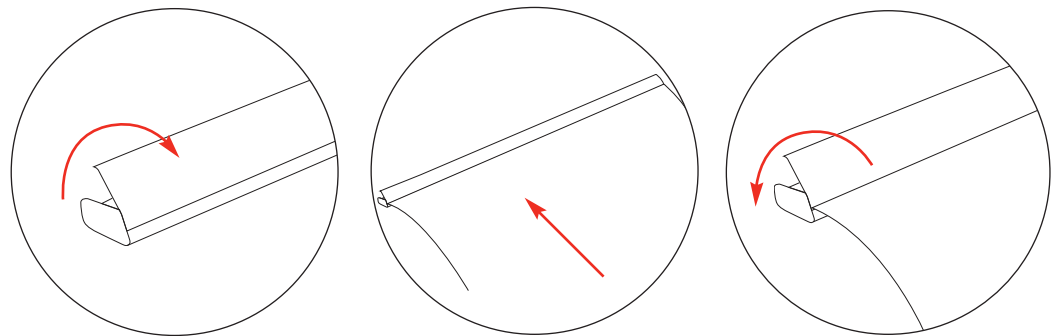
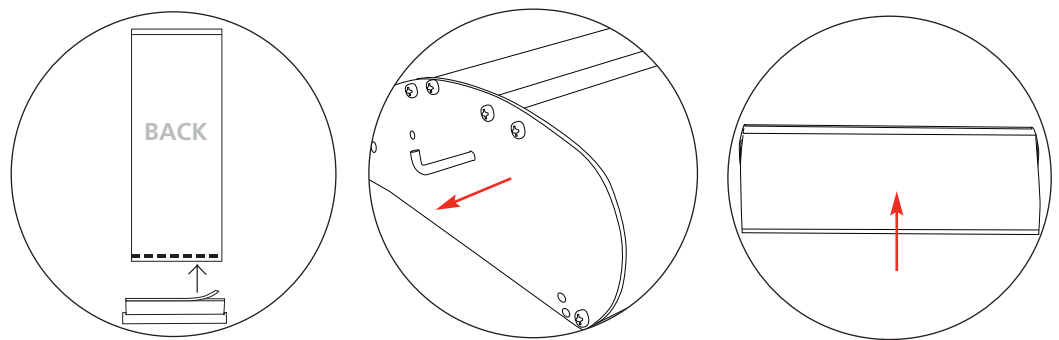




Snap Top Rail Attachment



Bottom Graphic Attachment



Total Visual Graphic Area: 2000(h) x 800(w) mm
 Total Visual Graphic Area: 2000(h) x 1000(w) mm
 Material thickness: 225-300 microns
 Add 150mm to graphic length to allow for roller

All sizes are based on 850mm

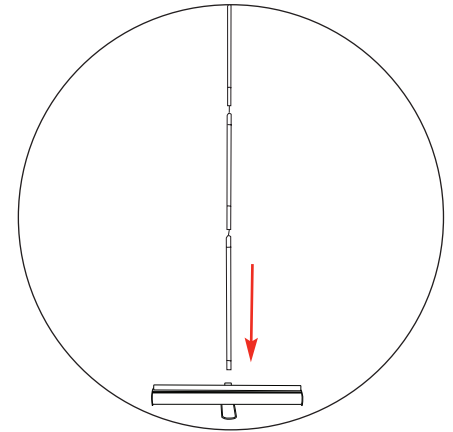
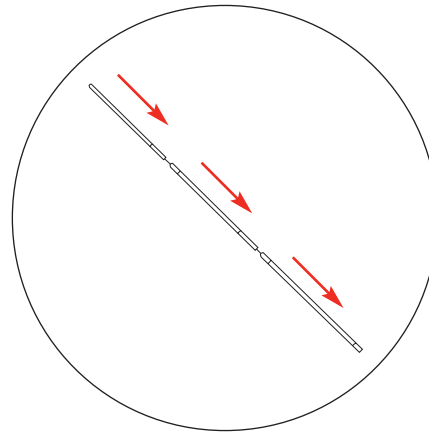
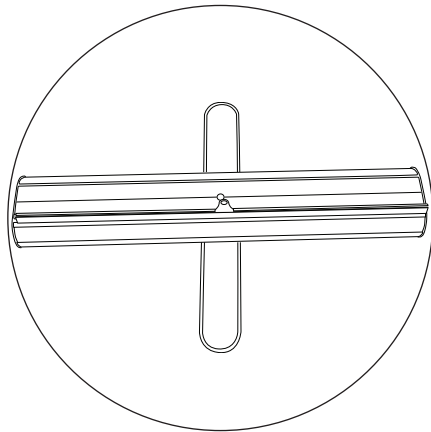
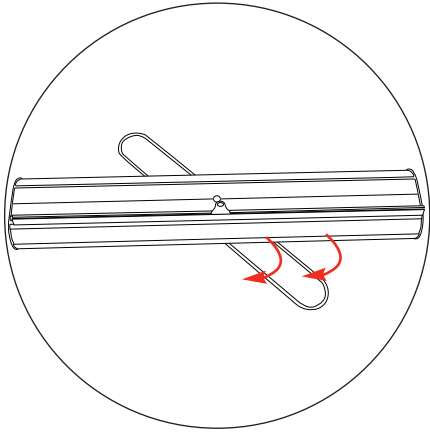


850mm

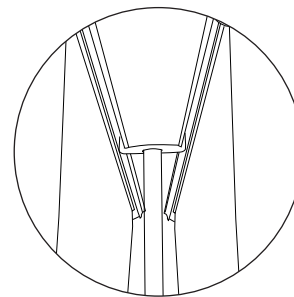
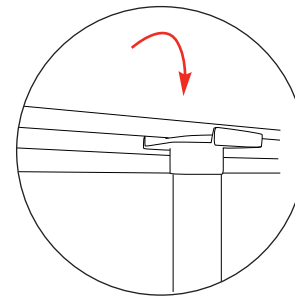
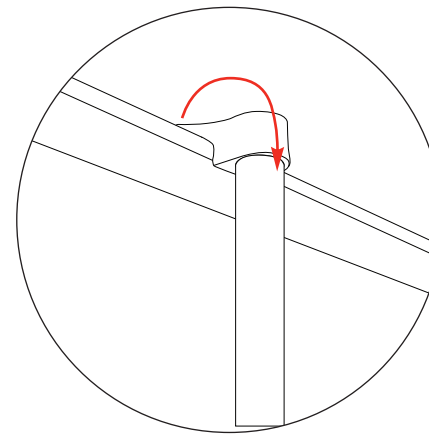
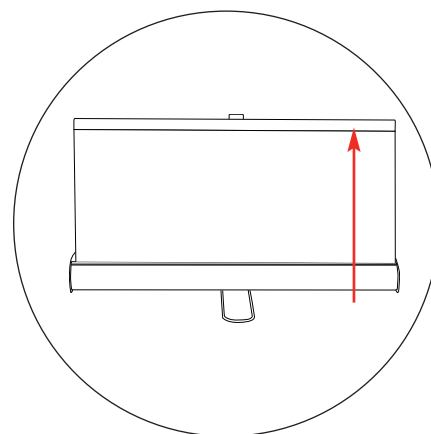
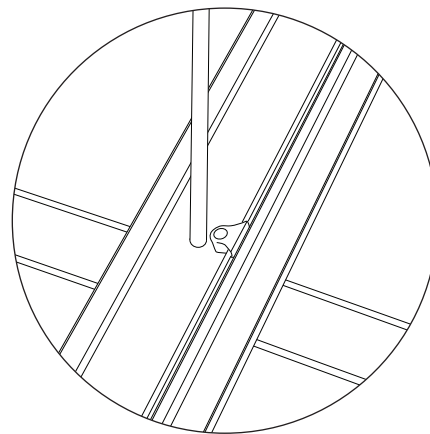
1000mm

Rev5
09.12

Assembly



Double Sided only



We are continually improving and modifying our product range and reserve the right to vary the specifications without prior notice. All dimensions and weights quoted are approximate and we accept no responsibility for variance. E&OE.